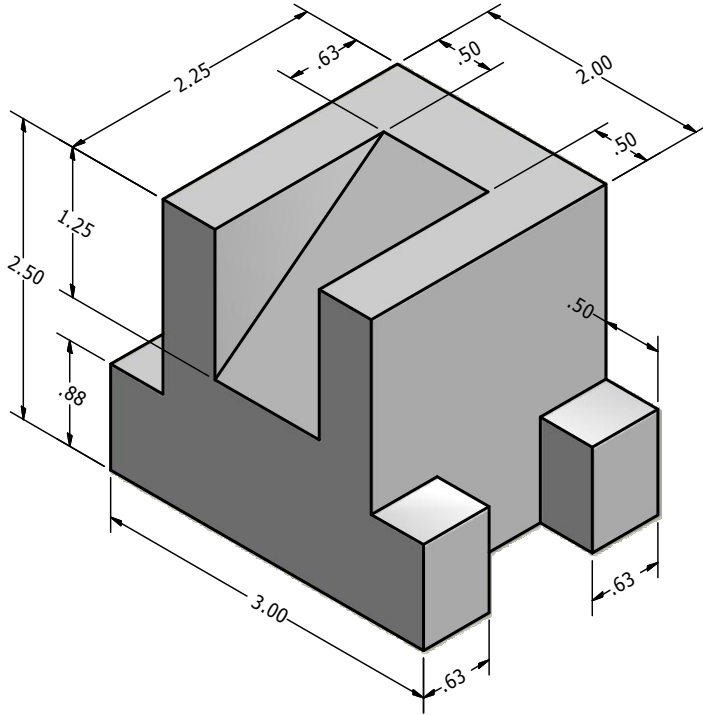


2

1



B

B

A

A

DRAWN install	10/25/2010	WHEELER HIGH SCHOOL		
CHECKED				
QA		TITLE MULTIVIEW #3		
MFG				
APPROVED		SIZE A	DWG NO 5-8	REV
		SCALE NTS	BLOCK 1ST	SHEET 1 OF 1
J. REECE			1	

2

1

1